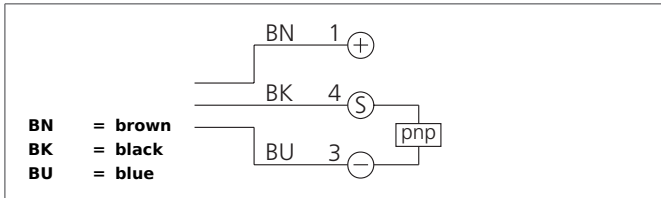


OLV 41 P3K-IBS/3KHZ

Amplifier for glass fiber optics

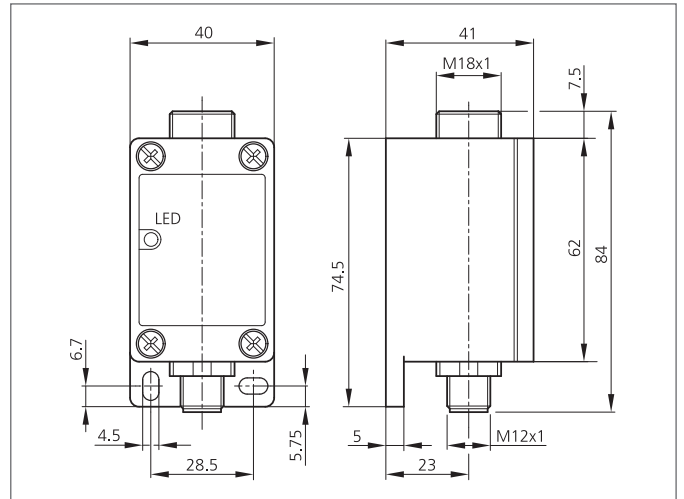
- Metal casing
- Sensitivity adjustable
- 3000 Hz operating frequency
- Light/dark switching
- Time module optionally available
- Red light



Safety instructions

The Instruments are not to be used for safety applications, in particular applications in which safety of persons depends on proper operation of the instruments.

These instruments shall exclusively be used by qualified personnel.



TECHNICAL INFORMATION (typ.)		+20°C, 24V DC
Amplifier for		Glass fiber optics M18
Evaluation		digital
Emitted light		Red, 660 nm, clocked
Service voltage		12 ... 35 V DC
Internal power consumption		< 35 mA
Sensitivity adjustment		potentiometer
Switching output		pnp, 200 mA, NO/NC, programmable
Switching hysteresis		< 10 %
Switching frequency		3.000 Hz
Response-/release time		< 0,33 ms / < 0,33 ms
Ambient temperature		-10 ... +60 °C
Temperature drift		0,3 %/K
Ambient light immunity		20 kLx
Insulation voltage endurance		500 V
Protection class		IP 65
Casing material		Die-cast zinc lacquered finish
Connection		Connector, M12, 3-poled